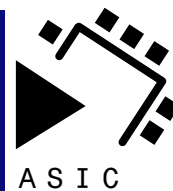
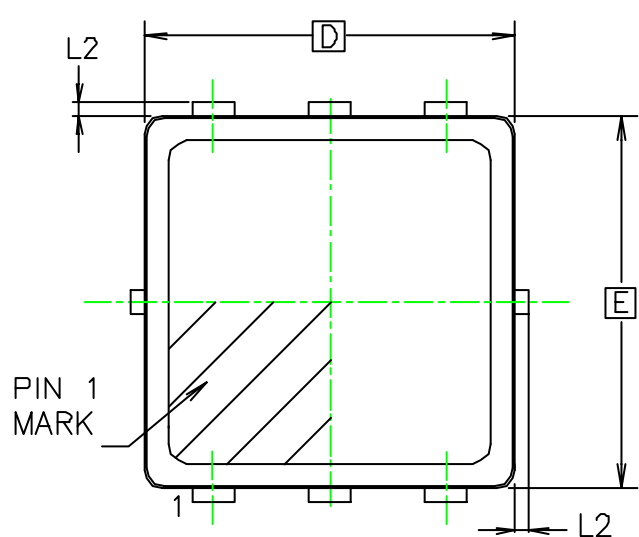


MLP 3mm x 3mm

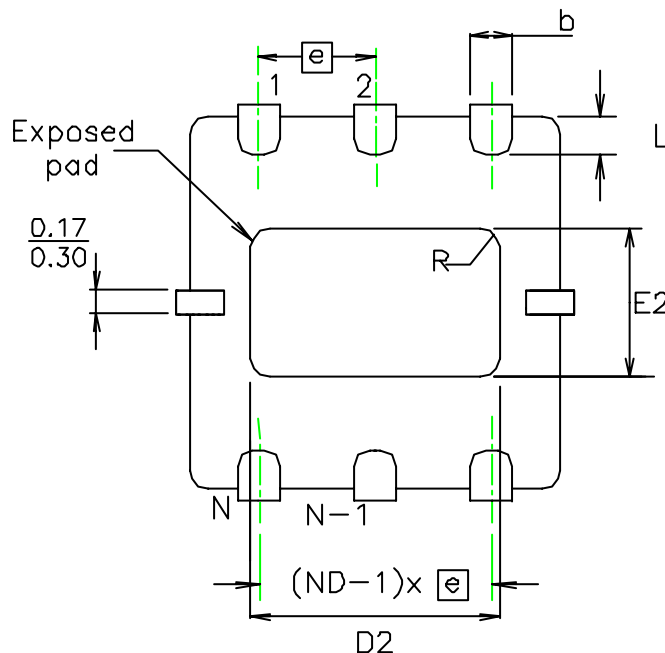
sta
SYSTEM TO



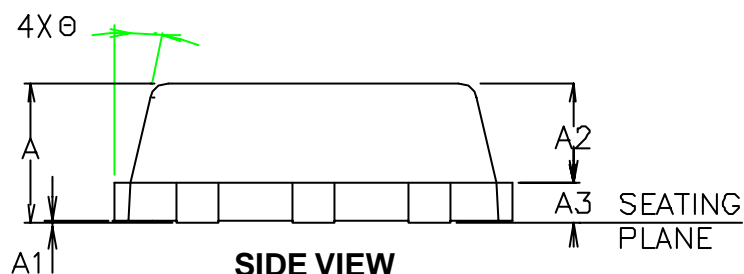
Package Specifications:



TOP VIEW



BOTTOM VIEW



SIDE VIEW

MLP 10 Lead 3x3 mm

Symbol	Dimensions in Millimeters			Note
	Min	Nom	Max	
A	0.80	0.95	1.00	Package Height
A1	0.00	0.02	0.05	Ref Plane to Package
A3	0.15	0.20	0.25	Lead Height
b	0.18	0.20	0.28	Lead Width
D	3.00 BSC			Package Width
D2	1.92	2.02	2.12	Exposed Pad Width
E	3.00 BSC			Package Length
E2	1.11	1.21	1.31	Exposed Pad Length
R	0.15			Exposed Pad Radius
e	0.50 BSC			Lead Pitch
L	0.20	0.29	0.45	Inner Lead Length
L2	0.13			Exposed Lead Length
N	10			Lead Count

Confidential and Proprietary Information